

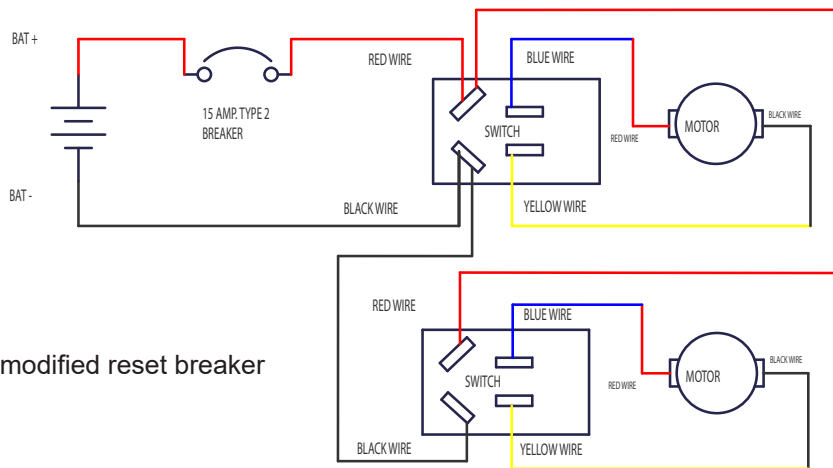
ATTACHMENT TO THE COACH

Fasten the Power C-Jack assembly to the frame or frame brackets with (4) 3/8"-16 Grade 5 bolts, flat washers, and nylock or top lock nuts. The bolt must be long enough to ensure the threads and the locking portion of the nut are fully engaged. Torque bolts to 30±3 ft*lbs.

WIRING

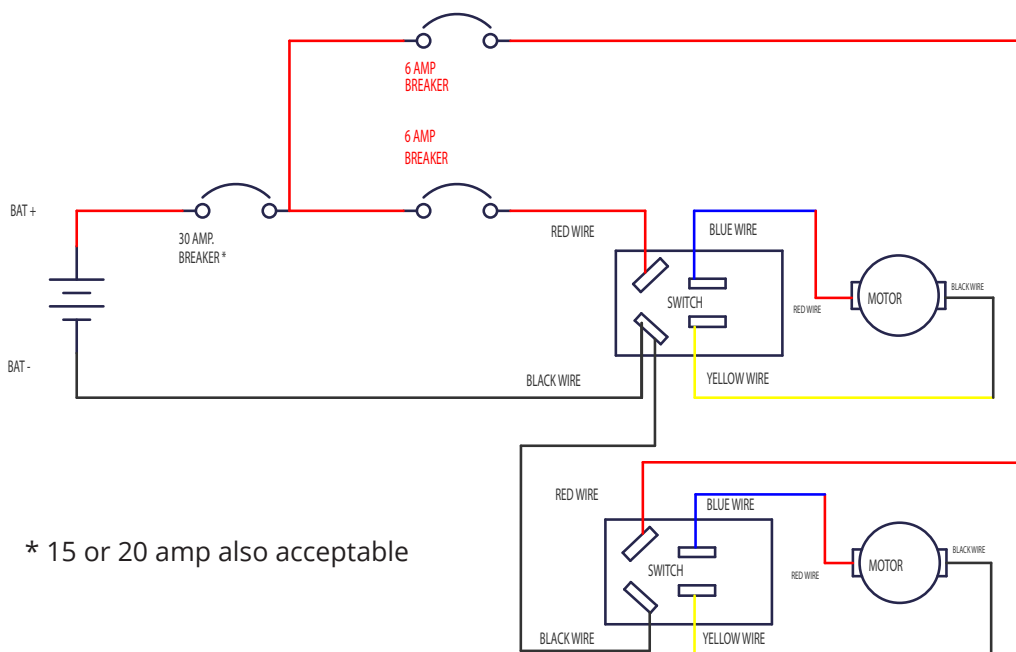
Wire the switch, breaker and motors per one of the diagrams below. Wire per RVIA specifications with a minimum of 10GA wire.

OPTION 1



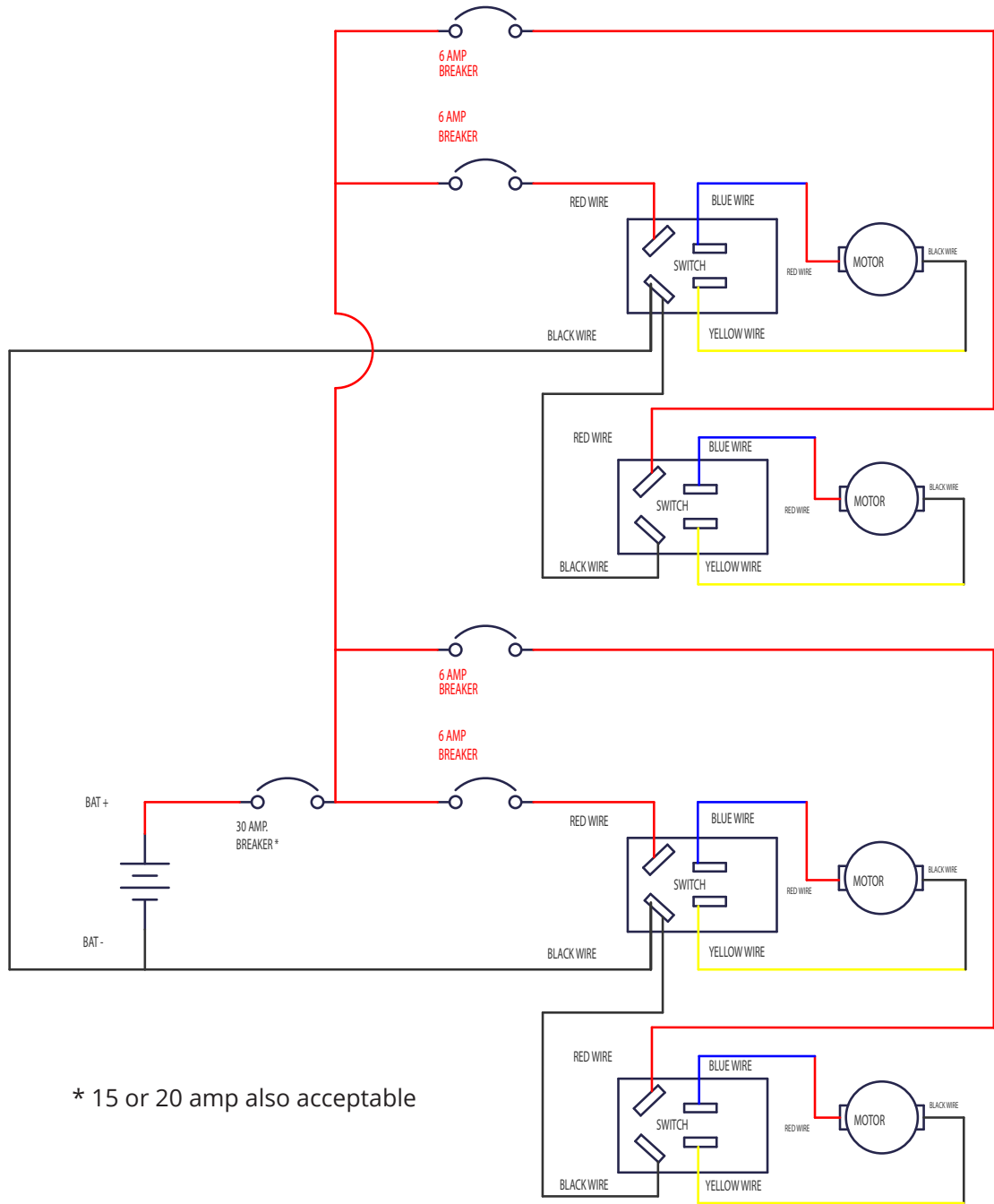
° Must be Type 2 modified reset breaker

OPTION 2

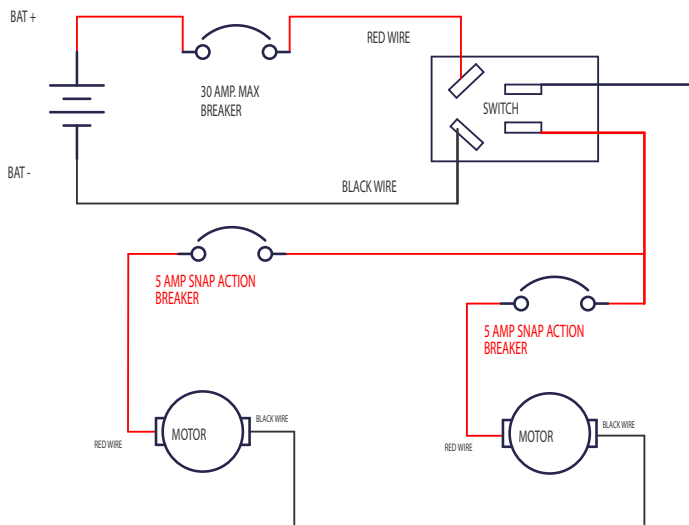


* 15 or 20 amp also acceptable

OPTION 3



OPTION 4



° Must be Type 2 modified reset breaker