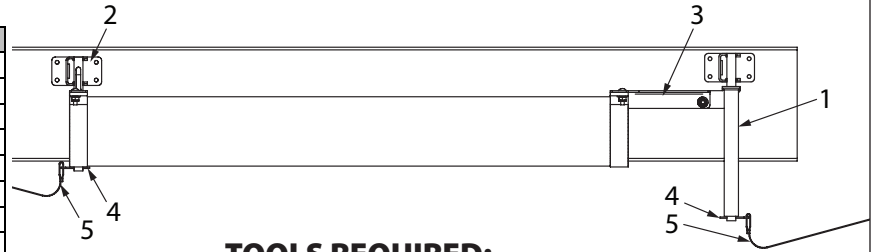


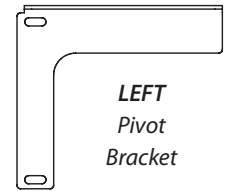
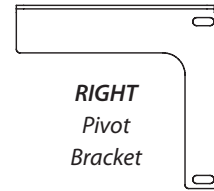
#	PART #	DESCRIPTION	QTY
1	P854802	PIVOT ROD ASSEMBLY	1
2	P854809	FIXED STOW ROD ASSEMBLY	1
3	P854807	RIGHT PIVOT BRACKET	1
3	P854808	LEFT PIVOT BRACKET	1
4	R852062	BRIDGE PIN, 3/8 X 1 7/8	2
5	R858061	LANYARD, 12"	2
6	502004	TEK SCREW #8 X 3/4 PHLP TRUSS HEAD	2
7	501200	CARRIAGE BOLT 1/4-20 x 1.0 GR. 2	5
8	502000	WASHER 1/4 USS FLAT	5
9	501132	NUT, 1/4-20, NYLON INSERT, GR 5, ZINC	5
10	R270399	SCREW - #14 x 1 BUILD/EX - HWH W/ RUBBER	8



TOOLS REQUIRED:

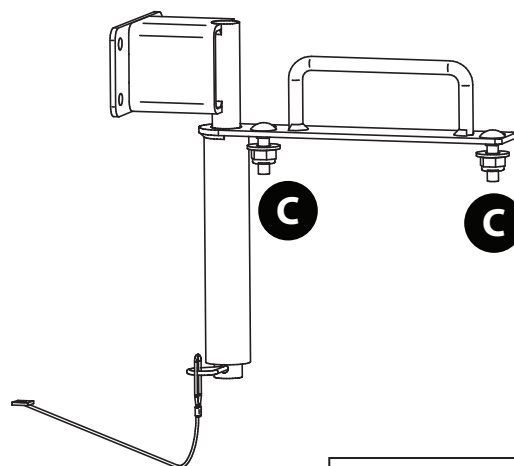
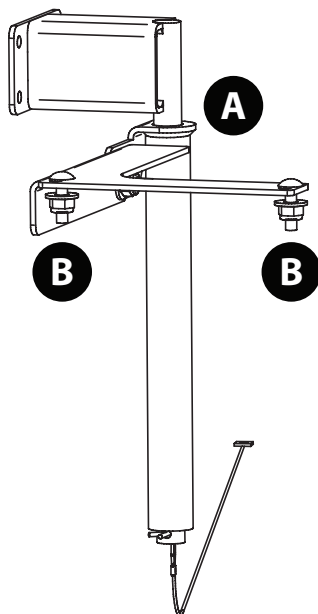
- 7/16" Open-End Wrench or Socket
- Power Drill Driver
- 1/4" Driver Bit
- 3/8" Driver Bit

This kit contains one extra bracket allowing the DumpCaddy to be assembled as a Right Hand pivot model or a Left Hand pivot model. The extra bracket will be discarded after assembly. The following instructions are for the **Right Hand** pivot model (RV's sewer outlet will be to the right of the DumpCaddy).



INSTRUCTIONS:

- A. Locate Pivot Rod Assembly (1) and Right Pivot Bracket (3) and assemble together using one each of Carriage Bolt (7), Flat Washer (8), and 1/4" Nut (9).
- B. Assemble Pivot Rod & Bracket to the plastic DumpCaddy tubing using two each of Carriage Bolt (7), Flat Washer (8), and 1/4" Nut (9). Be sure that the DumpCaddy's interior tubing extends out the opposite end of the assembly away from the Pivot Rod Kit.
- C. Locate Stow Rod Assembly (2) to left end of DumpCaddy using two each of Carriage Bolt (7), Flat Washer (8), and 1/4" Nut (9).

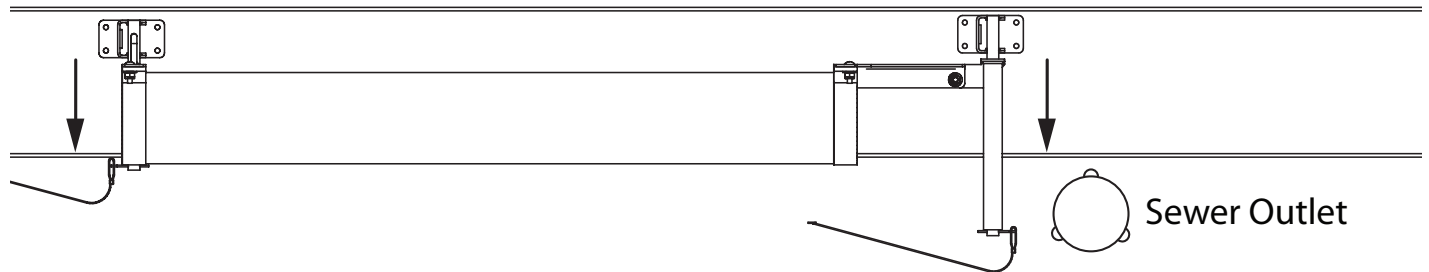


Thank you for purchasing this product.

For all questions, concerns or assistance, please visit:

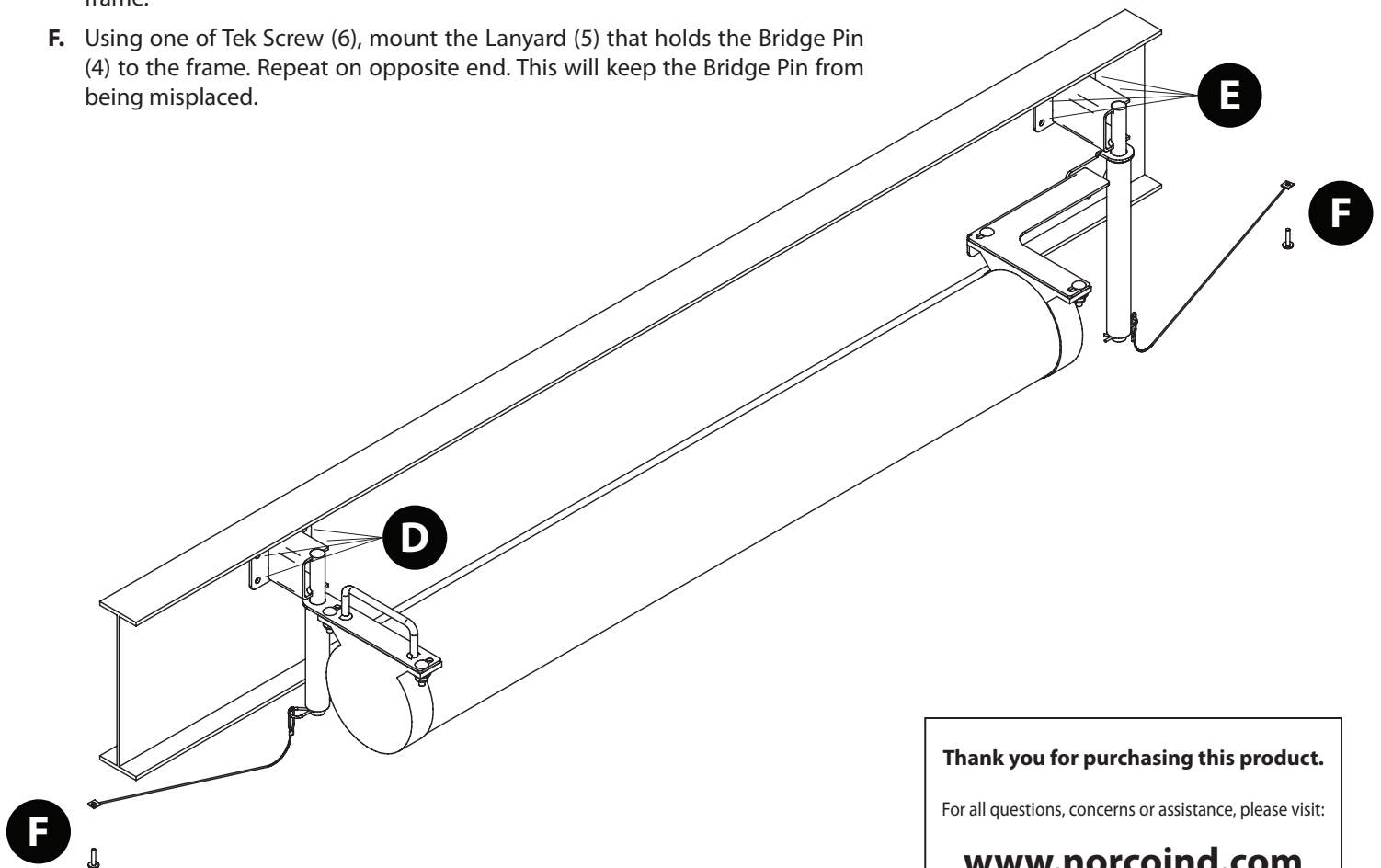
www.norcoind.com

Find a location on your trailer frame just to the left of your RV's sewer outlet. There will need to be 56 inches of uninterrupted space for the DumpCaddy to mount. Be sure that there are no electrical lines, LP hoses, water lines, or liquid holding tanks on the inside of the frame that could be damaged by the mounting screws. Also, consider that the DumpCaddy will need to drop below the RV's sewer outlet for liquids to drain appropriately. In some cases, the DumpCaddy will need to be positioned lower on the RV frame than first determined.



INSTRUCTIONS:

- D.** Once a location is decided on, use four of self tapping Screws (10) to mount the Pivot Rod bracket to the frame.
- E.** Use four of self tapping Screws (10) to mount the Stow Rod bracket to the frame.
- F.** Using one of Tek Screw (6), mount the Lanyard (5) that holds the Bridge Pin (4) to the frame. Repeat on opposite end. This will keep the Bridge Pin from being misplaced.



Thank you for purchasing this product.

For all questions, concerns or assistance, please visit:

www.norcoind.com