

BAL[®]

LS 5.3

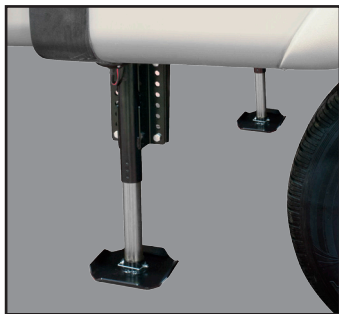
AUTO LEVELING SYSTEM

Press OK and walk away!

- Fast & lightweight system
- Tongue jack with user-friendly touchpad, LED lighting, and locking lid
- Large footpads with optional drop legs
- Consistently levels and stabilizes the unit
- Auto reconnect memory allows for hassle-free hookup to vehicle



Fully interactive touch screen



5 points of contact ensure the most complete leveling experience



LED lights illuminate the hitch area