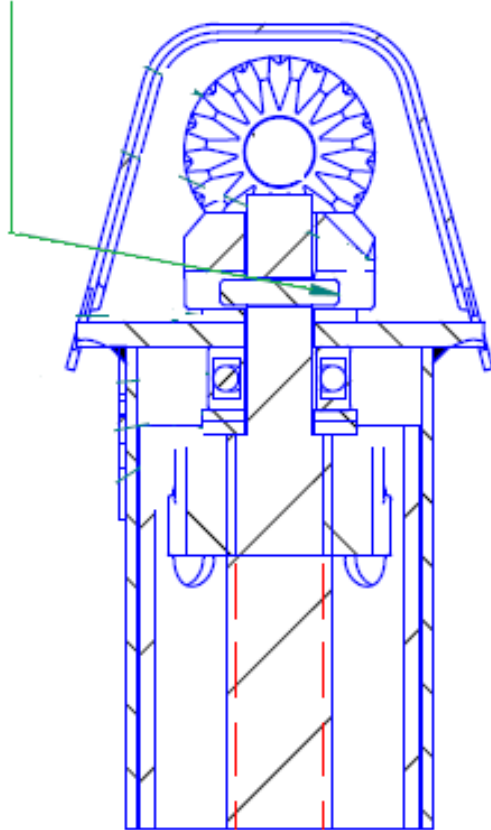


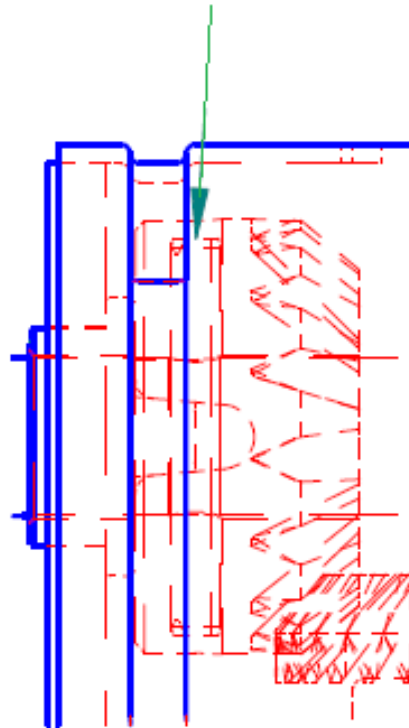
MANUAL TONGUE JACK

SHEAR PINS

R853081 DOWELL PIN, .1875 X .860 HD SW



R853084 ROLL PIN, 5/32 X 1/4, ANSI B18.8.2



These shear pins will break to protect the bevel gears, in the event the jack is under more load than it's intended use, acting as a mechanical fuse (non-electric jack). Continuing to raise the tongue jack while hitched to the tow vehicle will exceed the weight limit and shear these pins.

1,000 lb Sidewind



Model 29015B *Boxed w/ hardware*

Model 29015 *Single bulk jack*

- Fits 1 7/8 in trailer A-Frame couplers (1 5/8 in lower leg)

2,000 lb Sidewind



Model 29025B *Boxed w/ hardware*

Model 29025 *Single bulk jack*